



LOVE MY HAIR



CERAMIC HAIR WAVER

for those beachy waves

LMSTW-
P

Contents

2. Introduction
3. Product Specification
4. Operating Instructions
5. Styling
6. Maintenance & Troubleshooting
7. Warnings
10. Support

Introduction

Effortlessly create beach waves at home with the Love My Hair, Ceramic Hair Waver.

The triple barrel design has a ceramic coating to help smooth the hair, while the adjustable temperature heats to a maximum 230°C to suit your hair type. The waver mechanism makes styling beachy waves quick and easy for any hair length.

Box Includes:

- Ceramic Hair Waver with fixed UK plug
- Instruction manual

Features:

- Triple ceramic barrel
- Adjustable temperature from 100-230°C temperature
- Hanging loop
- LED power indicator light
- Safety stand
- Cool touch tip

12-month warranty available

Product Specifications

Product Name: Ceramic Hair Waver

Material: Metal barrel & ABS handle

Product Code: LMSTW-P

Voltage: 110V-240V 50-60Hz 100W CLASS II

A: 360 free swivel power cord with hook.

B: "ON/OFF" switch

C: Power light indicator

D: Temperature adjustment control 100°C-230°C

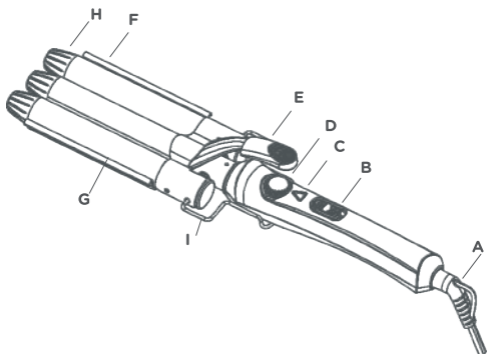
E: Clamp

F: Aluminium tube

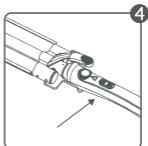
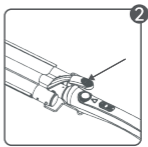
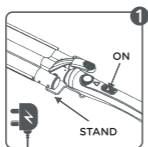
G: Aluminium plate

H: Cool touch tips

I: Stand



Operating Instructions



- Plug the hair waver in at the wall, switching on the power and moving the product to the ON position.

Warning: When the appliance is connected to a power supply never leave it unattended.

- Always do a test section before using the hair waver to ensure the correct setting for your hair type.
- Ensure your hair is dry and combed through.
- Take care to avoid contact between hot surface of the waver and skin of the ear, face and neck.
- When finished styling, ensure power switch is located to OFF.
- It will shut down automatically after 1 hour. Make sure the product cools in a safe place before storing.

Styling Guide

- Wash & condition hair before styling. For long lasting results, comb a small amount of mousse or styling gel through the hair.
- Partially dry hair before using hair waver.
- For deeper waves, use small sections of hair. For a loose effect, use larger sections.



- Ensuring the hot part of the wave barrel is on the bottom, clamp the first sections of hair you are working on. Hold it down for 4-5 seconds - don't leave it much longer, to avoid damaging the hair.

- Try to line up the first barrel with the last wave you have created, continuing down the section of hair.
- Once you have completed your whole head, add a spritz of hairspray to keep in place.



For further styling tips, please visit our website:

www.love-my-hair.co.uk/styling-tips

Care & Maintenance

- This appliance is intended for household use. Unplug product before cleaning. The product must be cleaned only when cool.
- Always store this appliance in a moisture-free and cool area.
- Use a soft non-abrasive cloth that is slightly dampened with water to wipe styling barrel surface.
- Do not allow water or any other liquid to get into the handle of the hair waver. Any other servicing should be performed by a qualified service centre.
- The product should not be stored while hot or plugged in. When not in use, allow the hair waver to cool, then simply put back in the box and store out of reach of children in safe, dry location.
- Never wrap the cord around the hair waver. This could cause the cord to wear prematurely and break.

Troubleshooting

| Problem | Possible Cause | Solution |
|---------------------------|---------------------------------------|-----------------------------------|
| The device does not work. | Power cables disconnected or damaged. | Please contact customer services. |

Note: If the device still does not work properly after using the above solutions, please stop using the device and contact your local retailer.



WARNINGS

DANGER: Risk of electrocution

WARNING: KEEP AWAY FROM WATER. DO NOT USE THIS APPLIANCE NEAR BATHTUBS, SHOWERS, BASINS OR OTHER VESSELS CONTAINING WATER.

KEEP OUT OF REACH OF CHILDREN

- When using electrical appliances, especially when children are present, basic safety precautions should always be followed.
- This appliance is not intended for use by persons (including children) with reduced physical, sensory or mental capabilities, or lack of experience and knowledge.
- Close supervision is necessary when any appliance is used by, on or near children or people with a disability. Store out of children's reach.
- Take care to avoid contact between the hot surface of the barrel and the skin of the face and neck.
- Do not place the hot hair waver on any heat sensitive surface until cool before storing away.
- Only store, when the unit is unplugged and completely cool.
- When storing the unit make sure it is unplugged, do not wind the supply cord around the hair waver.
- This appliance is not intended for commercial use.
- Do not leave the hair waver unattended when plugged in. Always unplug this appliance from the electrical outlet immediately.



WARNINGS

- Do not use if the appliance or the cord is damaged, or it is not working properly, or it has been dropped into water.
- Do not reach for the appliance that it has fallen into water. Unplug it immediately.
- In the event of damage discontinues use immediately. The swivel cord which must, when damaged, be replaced by a swivel cord of the same type; Return the appliance to your retailer who will deal with it.
- Always ensure the voltage to be used corresponds to the voltage on the unit.
- If the supply cord is damaged, it must be replaced by the manufacturer, its service agent or similarly qualified persons in order to avoid a hazard.
- Keep the cord away from heated surfaces. Do not pull, twist, or wrap cord around the appliance, even during storage.
- Never block the appliance or place it on a soft surface, such as a bed or sofa.
- Never use the appliance while sleeping.
- Do not use outdoors or where are being used or where oxygen is being administered.
- Do not use an extension cable to operate appliance.
- Do not plug this appliance when your hands are wet.

IMPORTANT SAFETY INSTRUCTIONS

- Read all instructions before use.
- Save these instructions for future reference.
- If anything goes wrong with this device, do not repair it yourself. Contact a qualified service agent to carry out any repairs or maintenance or contact the store where you purchased the product.
- The product should only be used for its intended purpose as described in the instruction manual.
- Do not use any attachments not recommended by the manufacturer.
- Remove all packaging materials and examine the product for any damage, if damage is found; notify the retail store where it was purchased.
- Do not use the product if it does not work properly, or if it has been dropped or damaged in any way.

SUPPORT

Please feel free to contact us at:



+44 (0) 1483 937 967



www.love-my-hair.co.uk



Love My Hair (Kinetik Medical Devices)
Unit 3, Perrywood Business Park
Honeycrook Lane,
Salfords, Redhill.
RH1 5DZ
UK.



LOVE MY HAIR



Symbol for “Manufacture Date”



Symbol for “Environment Protection” - Waste electrical products should not be disposed of with household waste. Please recycle where facilities exist. Check with your local authority or retailer for recycling advice.



Symbol for “Complies with EU requirements”.



Symbol for “Complies with UK requirements”.



Follow this instruction manual for your safety.



Model Reference.



Symbol for “No use in bathroom”.



CLASS II

CLASS II

Made in China
LMSTW-P