



LOVE MY HAIR



CERAMIC
2 IN 1 HAIR STRAIGHTENERS

for smooth hair and defined curls

LMSHS3-BL

Contents

3	Introduction
4	Product Specifications
5	Operating Instructions
6-7	Styling Guide
8	Care & Maintenance
9-11	Warnings
12	Support

Introduction

Create any style with the Love My Hair, Ceramic 2 in 1 Hair Straighteners.

Offering 3 different temperature settings, the floating Ceramic plates heat to a maximum temperature of 230° to help you create a variety of different styles. Suitable for all hair types.

Box Includes:

- Ceramic coated hair straighteners, corded with a fixed UK plug
- Instruction Manual

Features:

- Floating ceramic coated plates
- 230° max temperature with 3 temperature features – 120°, 180° and 230°
- Lockable handle
- Hang loop
- 360° Cord with UK plug

12 month warranty available

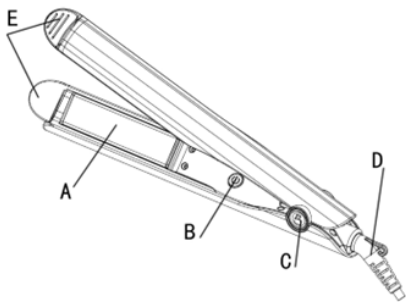
Product Specifications

Product Name: Ceramic 2 in 1 Hair Straighteners

Material: Ceramic plates & PET handle

Product Code: LMSHS3-BL

Voltage: 110-240VAC 50-60Hz 45W



A: Ceramic coating plate

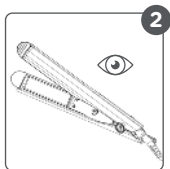
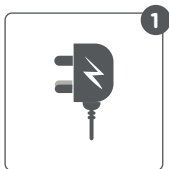
B: On/Off Switch with 3 temperature level controls

C: Lockable handle switch

D: Swivel Cord and hanging loop

E: Cool tip

Operating Instructions



- Fully unwind the mains cable and plug into the main socket. Slide button to the ON position
- Whilst your styler is heating, never leave unattended
- Always test a small piece of hair before continuing use of the straighteners to ensure the correct setting for your hair type
- Ensure your hair is dry and combed through
- Take care to avoid contact between hot surface of the plates and skin of the ear, face and neck
- When finished styling, ensure power is located to OFF and unplug from the wall socket

Styling Guide

- Wash & condition the hair. Consider using a heat protection spray and dry your hair thoroughly with the Love My Hair, Styling Hair Dryer
- Switch on your hair straighteners and adjust to your chosen temperature setting – Green light 120°, Blue light 180° and Red light 230°
- Allow 1-2 minutes for the hair straighteners to reach the desired temperature.



- Detangle your hair with a comb
- Divide your hair into manageable sections and clip the upper layers on top of your head and work on the underneath layer first

For Hair Straightening:

- Take a small section of your hair and pull hair down, away from your scalp, and hold it taut.
- Starting at the roots, clamp hair between the plates and run the straightener down the entire hair strand, from root to tip, in one smooth stroke. Do not hold it in one area for a long period of time.
- Repeat with all sections of your hair.
- Add finishing touches to your hair, such as a light application of serum or hairspray.

For Hair Curling:

- Take a small section of your hair and pull hair down, away from your scalp, and hold it taut.
- Starting at the roots, clamp hair between the plates and turn 90° for a loose curl or 180° for a tighter curl. Run the straightener down the entire hair strand, from root to tip, in one smooth stroke. Do not hold it in one area for a long period of time.
- Repeat with all sections of your hair.
- Add finishing touches to your hair, such as a light application of serum or hairspray.
- When you are finished styling, press the ON button for 3 seconds to switch off, unplug the unit and allow to completely cool down before cleaning or storing.



For further styling tips, please visit our website:

www.love-my-hair.co.uk/styling-tips

Care & Maintenance

- **IMPORTANT** – Always ensure the hair straighteners are disconnected from the mains supply before cleaning and are thoroughly cool.
- Use a damp cloth for cleaning and wipe dry. This will help preserve the original finish of your styling tool. Abrasive cleaner should not be used.
- Never immerse the hair straighteners in water and always ensure that the plug is kept dry.
- Dry thoroughly and lock the handle.
- Never wrap the cord around the hair straighteners. This could cause the cord to wear prematurely and break.

Troubleshooting

Problem	Possible Cause	Solution
The device does not work	Overheated	Leave product to cool down before attempting to reuse
	Power cable disconnected or damaged	Please contact customer services

Warnings

ELECTRICAL APPLIANCES MUST ALWAYS BE STORED IN A SECURE PLACE. KEEP OUT OF REACH OF CHILDREN

- Read all instructions before use.
- Save these instructions for future reference
- If anything goes wrong with this device, do not repair it yourself. Contact a qualified service agent to carry out any repairs or maintenance or contact the store where you purchased the product.
- Do not operate this appliance if the cable or plug becomes damaged. In the event of damage, discontinue use of the product immediately. A qualified electrician must always carry out any repairs that are necessary.
- If the appliance stops unexpectedly or appears to malfunction, switch off the power supply, unplug from the mains and stop using immediately. Seek professional advice to rectify the fault or make repairs.
- Keep the appliance and cable away from sources of heat, sharp objects or anything that may cause damage.
- Ensure the appliance is switched OFF before connecting to the mains power supply.
- Be aware that some surfaces may become hot. Do not touch and supervise others accordingly. Take care to avoid contact between the hot surface of the heating plate and bare skin, particularly around the ears, face, and neck when in use.

- Care should be taken not to touch this part of the appliance when it is switched on or just after it has been turned off. **ALLOW AT LEAST 30 MINUTES TO COOL DOWN BEFORE PUTTING AWAY**
- This appliance is not intended for use by persons (including children) with reduced physical, sensory, or mental capabilities, or lack of experience and knowledge, unless they have been given supervision or instruction concerning use of the appliance by a person responsible for their safety.
- Never leave the appliance unattended when connected to the mains power supply. To disconnect, first ensure that all controls are in the OFF position, then remove the plug from the electricity supply.
- Never wrap the mains cord around the appliance. Do not hang up by the power cord.
- Regularly check the mains cord for wear and damage, particularly where it enters the product and the plug.

Warnings

DANGER: Risk of electrocution

- To protect against electric shock, never allow the appliance, the mains cable or plug to come into contact with water or any other liquid.
- Never reach for any appliance that has fallen into water. Switch off the power supply at the mains immediately and unplug. Do not re-use until the product has been inspected and approved by a qualified electrician.
- Always ensure that hands are dry before operating or adjusting any switch on the product or touching the plug and mains supply connections.
- Keep the appliance away from water. Do not use it near or over water contained in bath, washbasins, shower etc.

Support

Please feel free to contact us at:

 +44 (0) 1483 937 967


 www.love-my-hair.co.uk

 Love My Hair (Kinetik Medical Devices Ltd)
Unit 3, Perrywood Business Park
Honeycrock Lane
Salfords, Redhill
RH1 5DZ
UK



LOVE MY HAIR

 Symbol for “Manufacture Date”

 Symbol for “Environment Protection” - Waste electrical products should not be disposed of with household waste. Please recycle where facilities exist. Check with your local authority or retailer for recycling advice.

 Symbol for “Complies with EU Requirements”.

 Symbol for “Complies with UK Requirements”.

 Follow this instruction manual for your safety.

 Symbol for “No use in bathroom”.

 Model Reference.

 CLASS II

Made in China
LMSHS3-BL