



LOVE MY HAIR



STYLING HAIR DRYER

for that salon finish

LMSHD2-
GP

Contents

2. Introduction
3. Product Specification
4. Operating Instructions
5. Styling Guide
6. Maintenance & Troubleshooting
7. Warnings
9. Support

Introduction

Achieve a salon inspired blow-dry at home with the Love My Hair, Styling Hair Dryer.

With a slim nozzle for a smooth finish and a diffuser attachment to compliment curly styles, this lightweight, 2000w hair dryer has adjustable power and heat settings to suit your hair type and length for quick and easy drying. Finish with a cool shot of air to smooth any flyaways and set your style.

Box Includes:

- Styling Hair Dryer, corded with fixed UK plug
- Slim nozzle attachment
- Diffuser attachment
- Instruction manual

Features:

- 2000w power for fast drying
- 3 temperature and 2 power settings
- Interchangeable nozzles for precise styling
- Light-weight and easy to use
- Corded with UK plug

12-month warranty available

Product Specifications

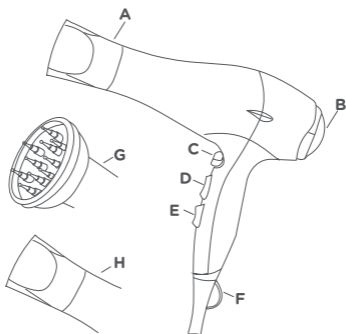
Product Name: Styling Hair Dryer

Material: Metal body & ABS nozzles

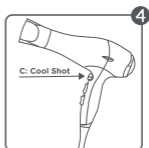
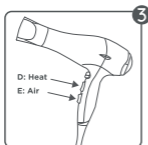
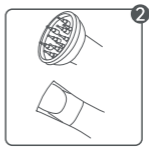
Product Code: LMSHD2-GP

Voltage: 220V-240V 50-60Hz 1700-2000W CLASS II

- A: Concentrator
- B: Air Inlet Cover
- C: Cool Shot Button
- D: Temperature Switch
- E: Air Power Switch
- F: Hanging Loop
- G: Diffuser Attachment
- H: Slim Nozzle Attachment



Operating Instructions



- Ensure the switch is set to OFF on the hair dryer, plug the into the wall and switch on the plug.
- Fit the slim nozzle or diffuser attachment before turning the hair dryer on.
- Adjust the desired speed using the button labelled **E** and select the preferred temperature with button **D**.
- Cool button is highlighted as button **C**.

Warning

Should the hair dryer stop working for any reason, turn it off immediately and let it cool down.

Always ensure the switch is set to OFF before plugging the device into the power outlet.

Styling Guide

- Wash & condition your hair. Consider using a heat protection spray and dry your hair as much as possible with a towel. Your hair should be damp, but not dripping wet.
- Detangle your hair with a comb and section your hair to begin blow drying from the back of the neck.



FOR STRAIGHTENING

- Roll the hair around a round brush and using the slim nozzle attachment, point the hair dryer down and work from the root of your hair to the ends.

FOR CURLY STYLES

- Using the diffuser head begin by holding the dryer above your roots, moving the dryer every 20-30 seconds.
- Once roots are dry, cup the ends up to the root, again holding for 20-30 seconds.
- Complete all sections of your hair and then do a final shot of cold air to set the style.



Care & Maintenance

Keep product away from water.

This device is intended for household use only.

Always unplug product after use and leave to cool before storing in a moisture-free area and preferably back in the original box.

Any servicing should be performed by a qualified service center.

Never wrap the cord around the product. This could cause the cord to wear prematurely and break.

Troubleshooting

Problem	Possible Cause	Solution
The device does not work.	Overheated	Leave product to cool down before attempting to reuse.
	Power cables disconnected or damaged.	Please contact customer services.
	Air inlet blocked	Ensure nothing covers the air inlet, turn off and leave device to cool before trying to use.

Note: If the device still does not work properly after using the above solutions, please stop using the device and contact your local retailer.



WARNINGS

DANGER: Risk of electrocution

- Always unplug this appliance immediately after use.
- Do not use while bathing.
- Do not place or store this appliance where it can fall or be pulled into a tub or sink.
- Do not place or drop into water or other liquid.
- Do not reach for an appliance that has fallen into water. Unplug immediately if this occurs.

• KEEP OUT OF REACH OF CHILDREN

- This device is not intended for use by persons (including children) with reduced physical, sensory or mental capabilities, or lack of experience and knowledge, unless they have been given supervision or instruction concerning use of the appliance by a person responsible for their safety.
- Children should be supervised to ensure that they do not play with the device.
- In order to increase the protection, suggested installs rating surplus operating current in the bathroom power supply electrical return route not surpass 30mA the residual current to install (RCD), the details consultation installs business.
- Do not use this device near bathtubs, showers, basins or any other vessels containing water.
- In order to avoid risk, it must be repaired or replaced by the manufacturer maintenance department or the professional staff from the similar department if the power cord is damaged.

IMPORTANT SAFETY INSTRUCTIONS

- Read all instructions before use.
- Save these instructions for future reference.
- If anything goes wrong with this device, do not repair it yourself. Contact a qualified service agent to carry out any repairs or maintenance or contact the store where you purchased the product.
- The product should only be used for its intended purpose as described in the instruction manual.
- Do not use any attachments not recommended by the manufacturer.
- Remove all packaging materials and examine the product for any damage, if damage is found; notify the retail store where it was purchased.
- Do not use the product if it does not work properly, or if it has been dropped or damaged in any way.

SUPPORT

Please feel free to contact us at:



+44 (0) 1483 937 967



www.love-my-hair.co.uk



Love My Hair
(Kinetik Medical Devices Ltd)
Unit 11
Perrywood Business Park
Honeycrook Lane
Salfords
RH1 5JQ



LOVE MY HAIR



Symbol for “Manufacture Date”



Symbol for “Environment Protection” - Waste electrical products should not be disposed of with household waste. Please recycle where facilities exist. Check with your local authority or retailer for recycling advice.



Symbol for “Complies with EU requirements”.



Symbol for “Complies with UK requirements”.



Follow this instruction manual for your safety.



Model Reference.



Symbol for “No use in bathroom”.



CLASS II

CLASS II

Made in China

LMSHD2-GP