



LOVE MY HAIR



ROTATING HOT BRUSH

---

for volume from root to tip

LMSHB-BL

## Contents

2. Introduction
3. Product Specification
4. Operating Instructions
5. Styling Guide
6. Maintenance & Troubleshooting
7. Warnings
9. Support

## Introduction

Effortlessly create that salon-inspired, bouncy blow-dry at home with the Love My Hair, Rotating Hot Brush.

The rotating barrel and soft bristles with adjustable power and heat settings, adds volume and smooths hair whilst drying to allow for quick and easy styling.

Finish with a cool shot of air to smooth any flyaways and set your style.

### **Box Includes:**

- Rotating Hot Brush, corded with fixed UK plug
- Clear bristle cover
- Instruction manual

### **Features:**

- 50mm ceramic coated barrel
- 2 heat settings
- Cool shot function
- 2-way rotating barrel
- Flexible bristles to dry, detangle and smooth hair
- Corded with UK plug

### **12-month warranty available**

## Product Specifications

**Product Name:** Rotating Hot Brush

**Material:** Ceramic barrel & ABS handle

**Product Code:** LMSHB-BL

**Voltage:** 220-240V- 50-60Hz 1000W - Class II

A: Air inlet

B: Soft bristles

C: 50mm ceramic barrel

D: Rotation direction

E: Power switch

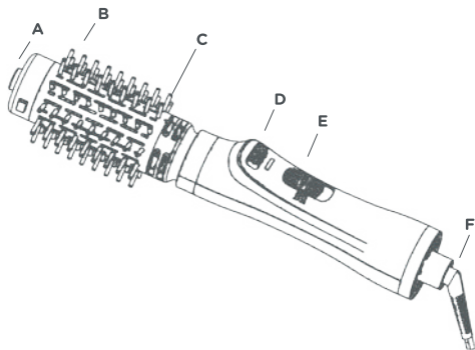
0=OFF Position

C = COOL Position

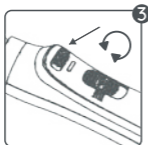
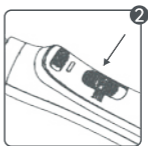
1=Low: low speed

2=High: high speed

F: Power cord



## Operating Instructions



- Plug the hot brush into the wall and switch on the plug.
- Whilst your styler is heating, never leave unattended.
- Ensure your hair is towel dry and combed through.
- Slide the switch to select your preferred temperature.
- Always do a test section before using the tong to ensure the correct setting for your hair type.
- If hair becomes tangled, stop the rotation and gently unwind the hair from the hot brush.
- When finished styling, ensure power switch is located to OFF.

## Styling Guide

- Wash & condition the hair. Consider using a heat protection spray and towel dry your hair.
- Detangle your hair with a comb.
- Divide your hair into sections, a top half & a bottom half.
- Take the first section of your hair and place the hot brush underneath it, near the roots.



- Pull the brush towards the ends of your hair.  
To start rotation, press the button (C) in the desired direction of rotation (clockwise or anti-clockwise) with the heat setting 1 or 2 on.

- Complete all sections of your hair, and then move onto the top section.
- Add finishing touches to your hair, such as a light application of serum or hairspray.



For further styling tips, please visit our website:

[www.love-my-hair.co.uk/styling-tips](http://www.love-my-hair.co.uk/styling-tips)

## Care & Maintenance

**IMPORTANT: Always ensure the hot brush is disconnected from the mains supply before cleaning.**

- Use a damp cloth for cleaning and wipe dry. This will help preserve the original finish of your hair dryer. Abrasive cleansers should not be used.
- Never immerse the hot brush in water and always ensure that plug is kept dry.
- After a while of use, you should take the inlet apart and clean it. Push the air inlet grill, then move to the left until it releases from the hot brush.
- After finishing cleaning, please insert the air inlet grill into the tail of hair dryer and move to the right until locked at the right position.
- Frequently clean out any hair or fluff that becomes stuck in the inlet filter, lack of cleaning may result in overheating.

## Troubleshooting

Problem	Possible Cause	Solution
The device does not work.	Overheated	Leave product to cool down before attempting to reuse.
	Power cables disconnected or damaged.	Please contact customer services.
	Air inlet blocked	Unplug and leave to cool before following cleaning instructions above.

Note: If the device still does not work properly after using the above solutions, please stop using the device and contact your local retailer.



## WARNINGS

### **DANGER: Risk of electrocution**

- Always unplug this appliance immediately after use.
- Do not use while bathing.
- Do not place or store this appliance where it can fall or be pulled into a bath or sink.
- Do not place or drop into water or other liquid.
- Do not reach for a appliance that has fallen into water. Unplug immediately if this occurs.
- **KEEP OUT OF REACH OF CHILDREN**
- This device is not intended for use by persons (including children) with reduced physical, sensory or mental capabilities, or lack of experience and knowledge, unless they have been given supervision or instruction concerning use of the appliance by a person responsible for their safety.
- Children should be supervised to ensure that they do not play with the appliance.
- Do not use this device near bathtubs, showers, basins or any other vessels containing water.
- In order to avoid risk, it must be repaired or replaced by the manufacturer maintenance department or the professional staff from the similar department if the power cord is damaged.

## **IMPORTANT SAFETY INSTRUCTIONS**

- Read all instructions before use.
- Save these instructions for future reference.
- If anything goes wrong with this device, do not repair it yourself. Contact a qualified service agent to carry out any repairs or maintenance or contact the store where you purchased the product.
- The product should only be used for its intended purpose as described in the instruction manual.
- Do not use any attachments not recommended by the manufacturer.
- Remove all packaging materials and examine the product for any damage, if damage is found; notify the retail store where it was purchased.
- Do not use the product if it does not work properly, or if it has been dropped or damaged in any way.



## SUPPORT

Please feel free to contact us at:



+44 (0) 1483 937 967



[www.love-my-hair.co.uk](http://www.love-my-hair.co.uk)



Love My Hair (Kinetik Medical Devices)  
Unit 3, Perrywood Business Park  
Honeycrook Lane,  
Salfords, Redhill.  
RH1 5DZ  
UK.



# LOVE MY HAIR



Symbol for “Manufacture Date”



Symbol for “Environment Protection” - Waste electrical products should not be disposed of with household waste. Please recycle where facilities exist. Check with your local authority or retailer for recycling advice.



Symbol for “Complies with EU requirements”.



Symbol for “Complies with UK requirements”.



Follow this instruction manual for your safety.



Model Reference.



Symbol for “No use in bathroom”.